



SHARP BRUSHES

Product manual



Sharp Brushes Company

Olympia Cyberspace Building,
No: 21/22, Alandur Road,
2nd street, Guindy, Chennai- 600032. India.

Contact number : +91 9943783178,
+91 9626885253

Sharp Brushes General Trading - LLC -OPC

Abu Dhabi, United Arab Emirates

Contact number : +971 506336526

Sharp Industrial Brushes and Trading

Ghala, Muscat, Sultanate of Oman.

Contact number : +968 9594 7930

Expert in surface treatment solutions

WWW: sharpbrushes.com

Email : Arun@sharpbrushes.com

Buy@sharpbrushes.com

About us

▶ About us

Welcome to SHARP BRUSHES, One stop solutions for all your Industrial Applications. We Supply all kinds of brushes and Abrasive disc for Buffing, Cleaning, Polishing, Honing, Grinding and Cutting for Metals like steel, stainless steel, Carbon steel, Tungsten , super alloys, Aluminium, stones etc. We can supply our products to Oman, UAE, Saudi Arabia, Kuwait, Bahrain, Qatar, India, Iran , Iraq, Kazakhstan.

SHARP BRUSHES

CONTENTS



01 PM Brushing

PM brushing disc brush P1



02 Disc Brush

35-105Spiral disc brush P3
Customized P5



03 Cup Brush

Cup Brush P7



04 Rod Flat Brush

Rod Flat Brush P8
Paint Striping Brush P8



05 Bore brush

Copper Handle P10
Stainless Steel P11
Tube Brush P13
Honing Brush P14



06 End Brush

End Brush P15



07 Wheel Brush

Wheel Brush P17
Glue Injection Wheel Brush P19



08 Inner/Outer Winding Brush

Inner/Outer Winding Brush P20



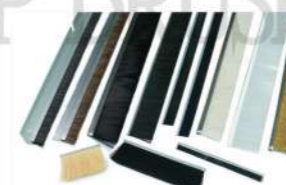
09 Roller Brush

Roller Brush P21
Double Steel Strip Brush P22



10 Implanting Brush

Implanting Brush P23



11 Strip Brush

Strip Brush P25



End Learn more

Learn more P28



● Suitable for surface deburring, knife mark removal, polishing, high wear resistance and long service life1

● Completely free of abrasive particles, will not damage the original workpiece, and can achieve a mirror effect



◆ The diameter of a single filament ranges from a few microns to more than 20 microns, which is equivalent to 1/20-1/5 of a hair. Each bundle of PM raw filaments is composed of hundreds or even thousands of single filaments

◆ PM wire ceramic fiber is a kind of fiber light fire-retardant material with light weight, good thermal insulation performance, good thermal stability, good chemical stability, easy processing and convenient construction

● Standard Product Parameter *Note: Can be customized*

	Overall diameter (D)	Brush length (L)	Holder length (T)	Holder diameter (d)	Rotating speed
Disc Brush	SBφ35	45	45	6	2000-4000
	SBφ45	45	45	6	2000-4000
	SBφ55	25	50	12	2000-4000
	SBφ65	60	50	12	2000-4000
	SBφ85	50	55	12	2000-4000
End Brush	SBφ15	70	45	6	2000-4000
	SBφ12	60	45	6	2000-4000
	SBφ10	50	50	12	2000-4000
	SBφ8	40	50	12	2000-4000
	SBφ6	30	55	12	2000-4000



1. Precautions: brush can be broken in these cases

- ◆ Rotation speed exceeds maximum speed
- ◆ For use with pneumatic rotary tools
- ◆ Used outside the hole (outside the workpiece)

2. Brush can be damaged in these cases

- ◆ Off-center cross holes and inclined cross holes
- ◆ T cross holes, secondary processing hole diameter is more than 100% of primary processing hole diameter

Processing example of ceramic fiber abrasive brush



Polished aluminum product sample



● Characteristic

1. Used to remove knife marks, has long service life, high hardness, and no residue after use

2.2. It can withstand operating temperatures up to 150° C, can work without coolant and has strong water resistance



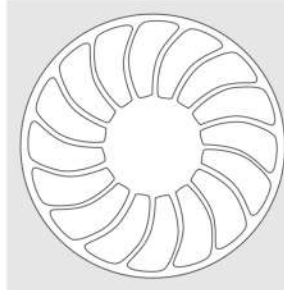
35-105 Spiral Disc Brush with Pole



Introduction

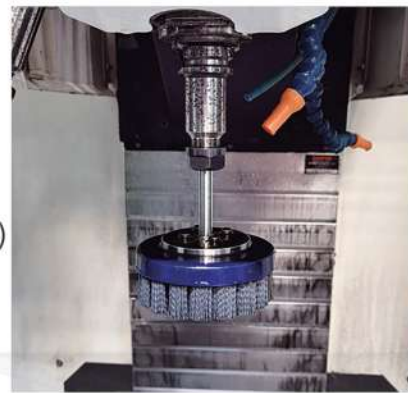
- ◆ Surface deburring, polishing and rust removal
- ◆ Surface treatment of stainless steel plate, kitchenware, food processing equipment, etc.
- ◆ Also for surface treatment of powder metallurgy, iron casting, welded parts, stamping parts decorative die casting, cylinder hydraulic parts, etc.

(Bottom structure)



Can be easily installed on manual, electric or pneumatic CNC machine tools

(installation)



use

- ◆ Polishing of surface of metal fittings
- ◆ Deburring of cylinder heads, engine blocks, hydraulic bodies, pneumatic components, etc.
- ◆ Surface rust removal



Four types of brushing for standard



Aluminum oxide



Silicon carbide



Copper plated steel wire

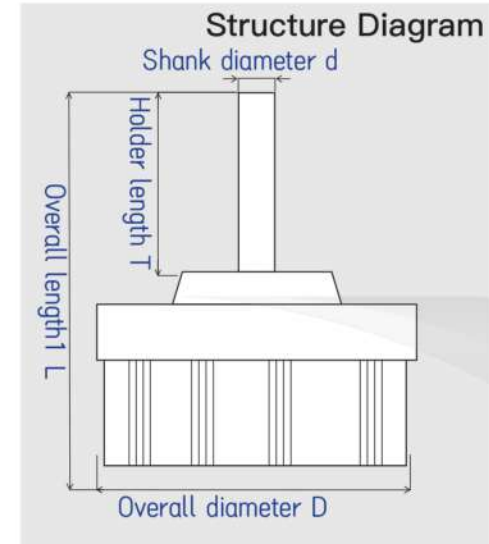


Stainless steel wire

35-105 Spiral disc brush parameters (mm)

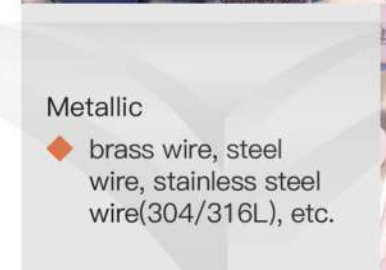
Overall diameter (D)	Brush holder diameter (d) * Holder length (T) * Overall length (L)	Material	Material	The wire diameter	Material no.
φ35、 φ45、 φ55	φ8*50*91	Abrasive wire	Silicon carbide	320#0.6、 240#0.9、 180#1.0、 120#1.2	SBZJ35/45/55 -S/A
			alumina		
		Steel wire	Stainless steel wire	0.12、 0.15、 0.2、 0.3	SBZJ35/45/55 -CP/SS
			Copper coated steel wire		
φ65、 φ75、 φ85	φ12*60*101	Abrasive wire	Silicon carbide	320#0.6、 240#0.9、 180#1.0、 120#1.2	SBZJ65/75/85 -S/A
			alumina		
		Steel wire	Stainless steel wire	0.12、 0.15、 0.2、 0.3	SBZJ65/75/85 -CP/SS
			Copper coated steel wire		
105	φ16*70*111	Abrasive wire	Silicon carbide	320#0.6、 240#0.9、 180#1.0、 120#1.2	SBZJ105-S/A
			alumina		
		Steel wire	Stainless steel wire	0.12、 0.15、 0.2、 0.3	SBZJ105-CP/ SS
			Copper coated steel wire		

Note: Can be customized



Non-metallic

- ◆ Synthetic: abrasive wire, nylon wire, PP wire, carbon fiber, diamond, flame retardant wire, etc.t
- ◆ Natural: horsehair, pig bristle, wool, sisal, etc.



Metallic

- ◆ brass wire, steel wire, stainless steel wire(304/316L), etc.



Deburring brush for car wheelst

Surface deburring

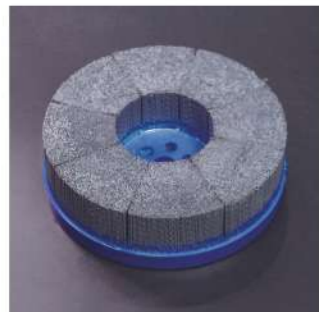


Pictures and Samples

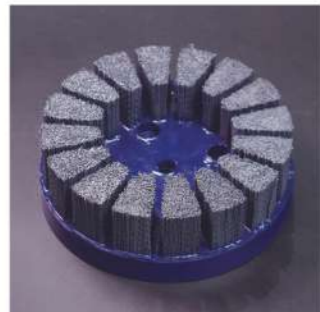
For various special-shaped brushes, their roughness requirements are different so the process used is also different, and its material selection, wire diameter is also different. Therefore we offer non-standard customization.



● Straight Hole Brush Overall diameter 30-350 can be customized



200 straight hole



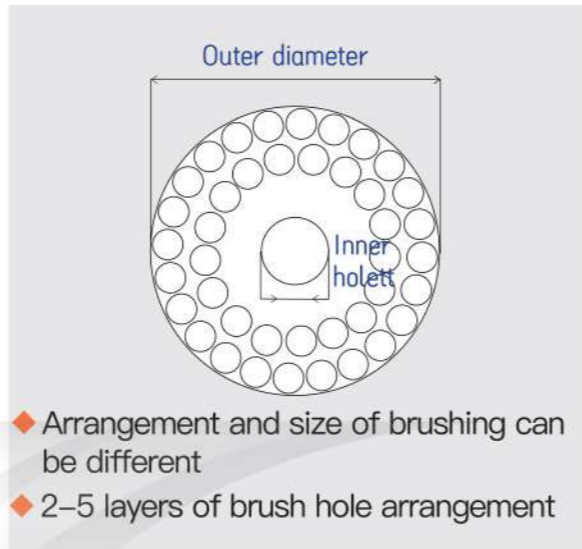
160 straight hole



150 straight hole



100 straight hole



Material Choice

- ① Silicon carbide
- ② Aluminum oxide
- ③ Ceramic
- ④ Steel wire
- ⑤ Stainless steel 304-306L
- ⑥ Diamond



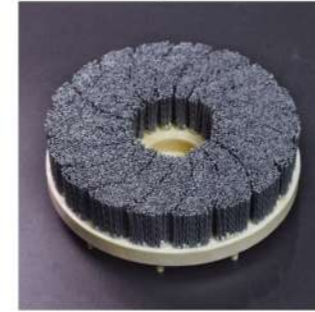
● Spiral brush Overall diameter 30-350 spiral



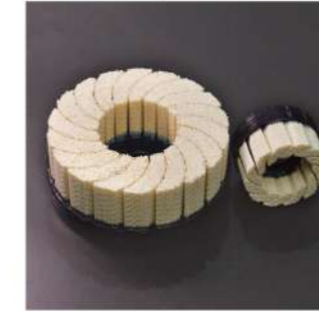
200 spiral brush



160 spiral brush

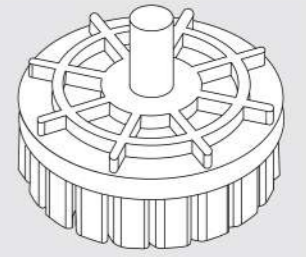


150 spiral brush

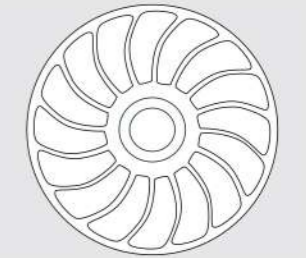


125 spiral brush

◆ Can match the handle can also be customized threaded hole



◆ Can match the handle can also be customized threaded hole

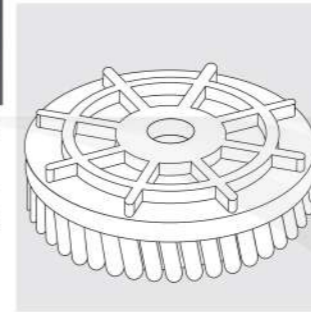


● Spin around to brush Outer diameter of 30 ~ 350 punch configuration rotate around Specifications and materials are customizable



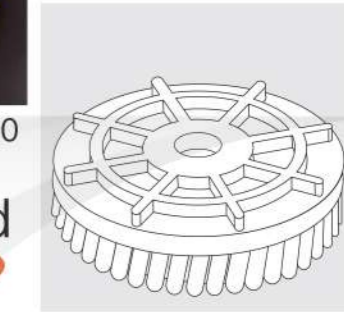
Overall diameter 150

Right hand



Overall diameter 150

Left hand



● Special-shaped brush



03 Cup Brush

Characteristic

- ◆ Strong grinding power and high working efficiency
- ◆ High speed, efficient and convenient

Use

- ◆ Rust treatment for various metal products
- ◆ Paint peeling



Diagram

Threaded hole (d)

Threaded rod (d)

Polished rod (d)

Note: Can be customized

Overall diameter (D)	Overall length (L)	Holder diameter (d)	Available brushing material
SBφ112	120	12	0.12, 0.15, 0.2, 0.3 stainless steel wire
SBφ80	100	8	0.12, 0.15, 0.2, 0.3 copper plate wire
SBφ50	70	6	320#0.6, 240#0.9, 180#1.0, 120#1.2 Silicon carbide
SBφ30	60	6	320#0.6, 240#0.9, 180#1.0, 120#1.2 Aluminum Oxide
SBφ22	45	6	0.8 240# Diamond curved wire

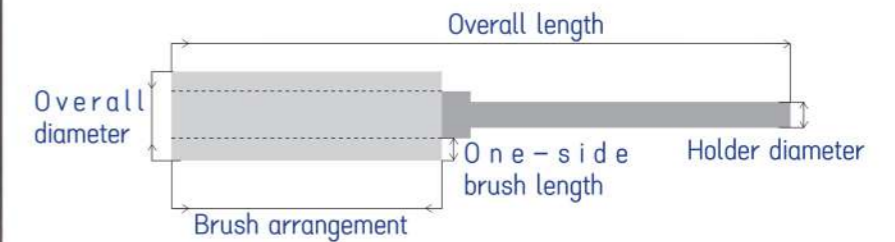
04 Rod Flat Brush - Standard

Characteristic

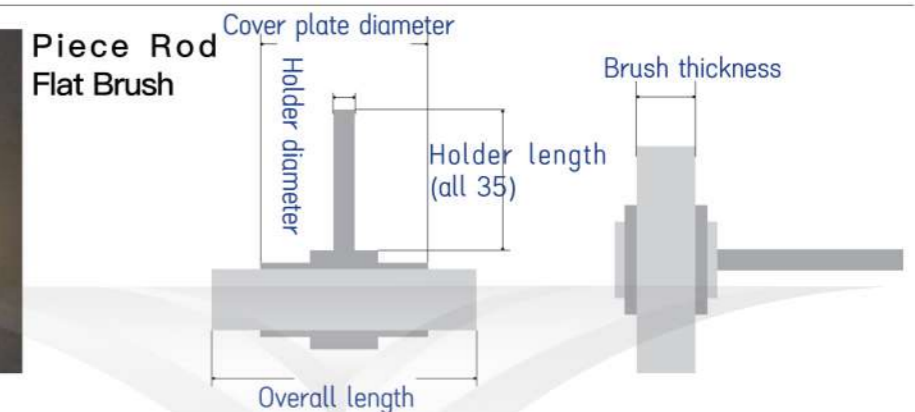
- ◆ For the inner hole, side, outer circle of the shaft and other positions of work pieces of different materials, it can be used on vertical machining centers, bench drills, special machine and other equipment
- ◆ The main function is to clean, polish, and remove small burrs or dead corners that are generally difficult to reach. It operates at a fairly low speed to achieve particularly fine patterns



Winding flat shape



Piece Rod Flat Brush



Rod Flat Brush Standard Parameters Note: Can be customized

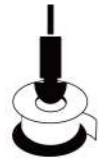
Inner chip diameter	Cover plate diameter (d2)	Overall diameter (D)	Available brush material
SB φ6	φ20	φ30-φ40	Brass wire, bristle, horse hair, nylon wire
SB φ12	φ33	φ35-φ60	
SB φ18	φ36/φ46	φ65-φ70	0.12, 0.15, 0.2, 0.3 stainless steel wire
SB φ27	φ55/φ60	φ85-φ100	0.12, 0.15, 0.2, 0.3 copper plate wire
SB φ44	φ70/φ80	φ115-φ135	
SB φ53	φ84/φ103	φ140-φ150	320#0.6, 240#0.9, 180#1.0, 120#1.2 Silicon Carbide
SB φ70	φ115	φ160-φ200	320#0.6, 240#0.9, 180#1.0, 120#1.2 aluminum oxide
SB φ83	φ120/φ140	φ180-φ220	
SB φ103	φ140/φ160	φ200-φ250	0.8 240# diamond curve wire
SB φ137	φ200	φ250-φ300	

Paint Striping Brush - Customized

- Characteristic
- ◆ Ultra-high density for the motor industry
 - ◆ Stainless steel wire, copper plate wire, brass wire



Specifications for materials



Pay attention when choosing an interior finishing brush

1. Normal bore brush

Brushes for internal finishing are suitable for handheld and stationary tools such as drills or jaw chucks and tool spindles. Some products are specifically designed for manual operation

2. Bore finishing brush

Some brushes are used for interior finishing. The product overview on the following pages provides detailed information on the entire range



Ball head brush



Stainless steel wire pipe brush



Wheel brush



Abrasive wire pipe brush



Find the right tool

We can tell you the application scenarios of the product and its applicability, high-efficiency abrasive tools, which can perform various tasks such as grinding, deburring, cleaning and polishing in a confined space



Abrasive brush with copper handle - Standard

Strong durability

◆ Suitable for general grinding and polishing stainless steel and aluminum applications

Fine appearance

◆ The copper handle is not easy to damage the work piece and can be used for a longer period of time



Brush head round head/welding

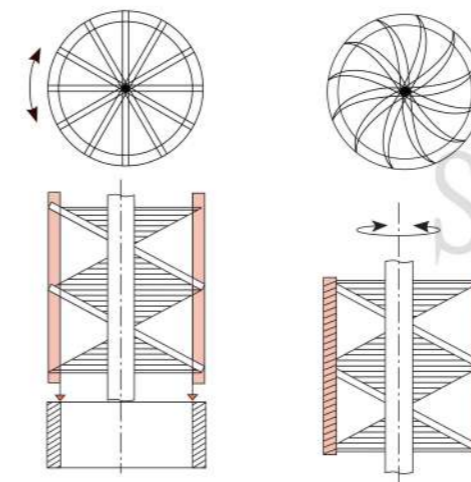
Standard parameters

Overall (D)	Brush Arrangement (l)	Overall length	Handle diameter	Brushing
SBφ12	50	150	6	Silicon carbide, aluminum oxide, nylon, fire-retardant wire, stainless steel, copper plate wire, brass wire, bristle, horse hair, etc.
SBφ15	50	150	6	
SBφ20	50	150	8	
SBφ25	50	150	8	
SBφ30	50	150	8	



Note: Can be customized

Processing diagram



▼ Four-strand tube brush ▼ Two-strand tube brush



Characteristic

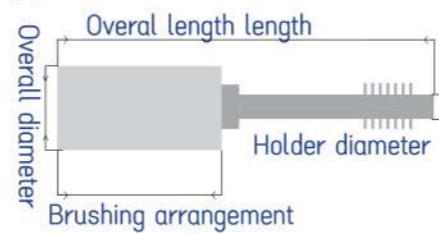
- ◆ Boring and deburring, surface finishing of cylindrical workpieces, such as engines, pumps, hydraulic and pneumatic cylinders, brake cylinders
- ◆ Suitable for surface treatment in different industries such as powder metallurgy, iron casting, welded parts, stamping parts, decorative die casting, cylinder hydraulic parts, etc.



Standard products



Appearance



Standard parameters *Note: can be customized*

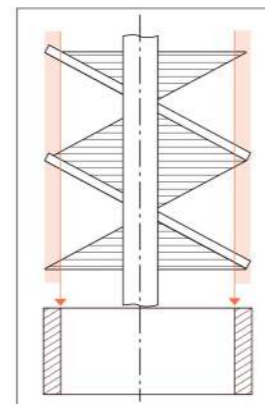
Overall diameter	Brushing arrangement	Overall length	Filament diameter
SBφ2、φ2.5、φ3、φ3.5、φ4、φ4.5、φ5	30	142	0.08-0.15 Stainless steel curve wire
SB φ5.5、φ6、φ6.5、φ7、φ7.5、φ8、φ8.5	45	142	
SBφ6.5、φ7.5、φ8.5	45	145	

Characteristic

- ◆ Internal and external holes, blind holes, cross holes of various components, deburring of mechanical parts
- ◆ Suitable for workpieces with a hole diameter of 20MM or above, pneumatic, hydraulic, engine and other industries



Processing diagram



Custom tips

- ▼ When selecting a polishing brush, the main consideration is the surface characteristics and surface condition after polishing
- ▼ Drawings and samples offered it can be customized
- ▼ Use appropriate materials for polishing different workpieces
- ▼ Metal wire, abrasive wire, nylon wire can be customized



◆ Nylon Brush – hard



hard
Remove hair and paper residue

◆ Nylon Brush – soft



◆ Stainless Steel Wire



Brush head without bristles

◆ Stainless Steel Wire



◆ Abrasive Wire



Polish and deburr steel and aluminum

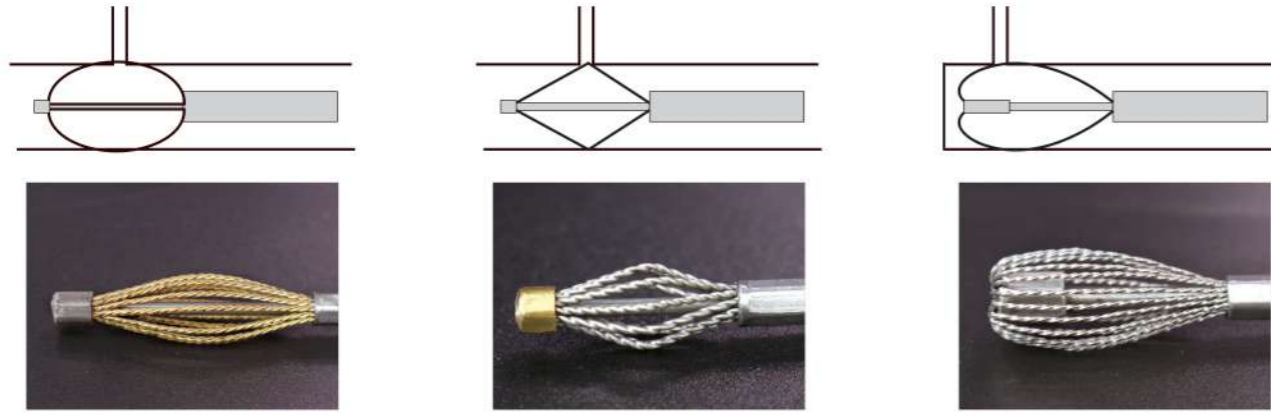
◆ Blending Strand Brush



Customize parameters

Overall diameter	Brushing arrangement	Overall length	Holder length	Available bushing
SBφ8、φ10、φ12	30	100	6	Silicon carbide, aluminum oxide, nylon, fire-retardant wire, stainless steel, copper plate steel wire, brass wire, bristle, horse hair, etc.
SBφ14、φ16	50	150	6	
SBφ18、φ20、φ22、φ24	50	150	8	
SBφ26、φ28	50	150	8	
SBφ30、φ32、φ34	50	150	8	

Note: can be customized



Characteristic

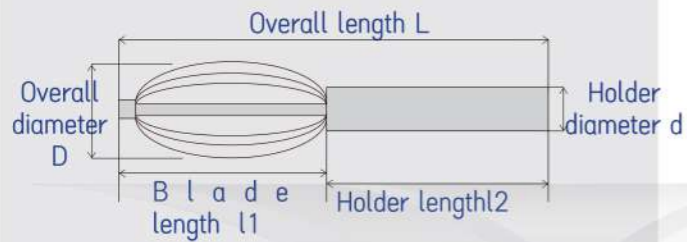
- ◆ Because of their profile structure, they are suitable for special-shaped parts
- ◆ Because of the soft and flexible structure, they operate at rather low speeds, thus achieving particularly fine patterns

Use

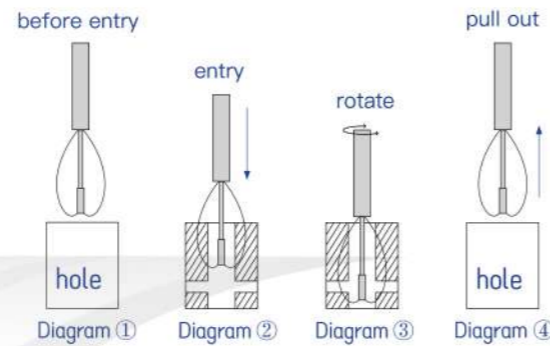
- ◆ The first choice for cross holes
- ◆ Can be retracted before entering the hole

Structure diagram

Shape figure



Processing diagram



Standard parameters Note: can be customized

Processing diameter	Unit mm				Baling unit
	Blade length	Holder diameter	Holder length	Overall length	
SB φ7	30	6	120	150	10
SB φ8	30	6	120	150	10
SB φ9	30	6	120	150	10
SBφ10	30	6	120	150	10
SBφ11	30	6	120	150	10
SBφ12	30	6	120	150	10
SBφ13	30	6	120	150	10
SBφ14	30	6	120	150	10
SBφ15	30	6	120	150	10
SBφ16	30	6	120	150	10



Especially for cross holes



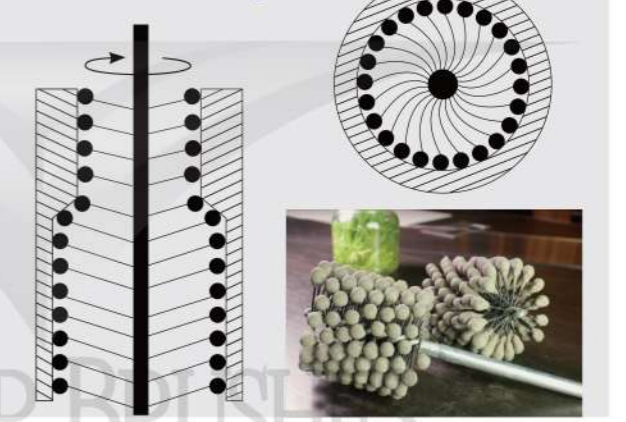
Characteristic

- ◆ Self-centering grinding tools, hydraulic pressure, cylinder block, engine spare parts, machining, brake hub, etc.
- ◆ Suitable for inner hole polishing, grinding and deburring of metal parts, blunt cross holes
- ◆ The diameter of the selected honing brush must be larger than the diameter of the processed workpiece

Overall diameter (D)	Brushing arrangement (l)	Overall length	Application workpiece
SBφ6、φ8、φ10、φ15、φ20	50	200	brake cylinders, hydraulics, valves
SBφ30、φ40、φ50、φ80	70	200	cylinder
SBφ95、φ105、φ110	70	300	Enhanced brush
SBφ120、φ130	80	300	Enhanced brush
SBφ150、φ162、φ180、φ190、φ200	100	300	Enhanced brush



Schematic diagram



Grain types	Abrasive Strength
Hard	LG#60、#120、#180、
	Steel parts, relatively rough inner hole, the roughness can reach about 1.5
Soft	LG#240、#320、#500、#600、#800
	Can be finely polished, with a roughness of about 0.8

Note: can be customized



End Brush - Standard

Strong durability

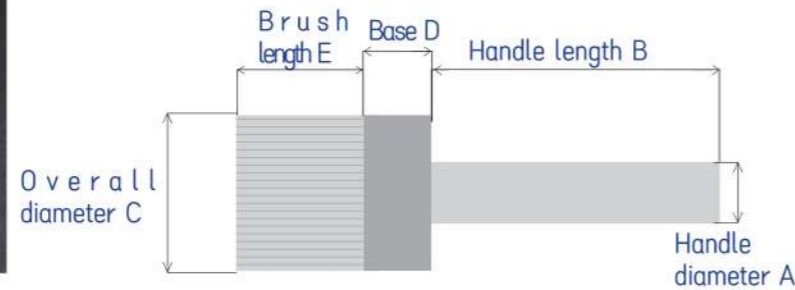
- ◆ Quickly and effectively remove residues on concave workpieces
- ◆ Used to remove hard-to-reach debris, marks, burrs, rust, etc.

Easy to operate, ready to use after installation

- ◆ Work mounted on power tools or hand tools



Shape figure



Standard parameters *Note: can be customized*

Overall diameter C * Base D	Handle diameter A * Handle length B	Brush length E	Available material
SB φ6*25	SBφ4*30	10	0.15 Stainless steel curve wire 0.8 240# Diamond curve wire
SB φ8*25	SBφ6*30	10	0.15 Stainless steel curve wire 0.8 240# Diamond curve wire
SBφ10*25	SBφ6*30	10	0.15 Stainless steel curve wire 0.8 240# Diamond curve wire
SBφ12*25	SBφ6*30	10	1.28 Stranded copper plated steel wire
SBφ16*25	SBφ6*30	10	0.2 Stainless steel curve wire 1.28 Stranded copper plated steel wire 0.8 240# Diamond curve wire
SBφ20*25	SBφ8*30	10	0.2 Stainless steel curve wire 1.28 Stranded copper plated steel wire 0.8 240# Diamond curve wire



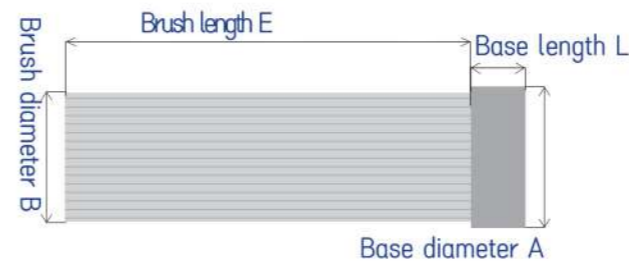
Stainless steel wire



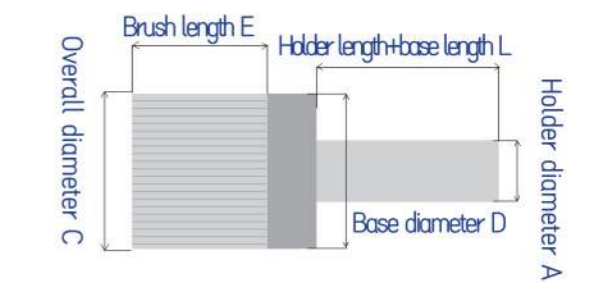
Diamond

Brush derivatives

◆ **Combination End Brush**



◆ **Glue Injection Brush**



◆ **Derivatives of End Brush**





● **Surface precision treatment grinding and deburring**

Use

- ◆ Welded products
- ◆ Hydraulic parts, cylinder liner surface
- ◆ Decontamination of electronic circuit boards and copper plates
- ◆ Stampings and Decorations

Wheel Brush

- 1.Flat wheel brush for machine
- 2.Glue injection wheel machine
- 3.Rubberized wheel brush



Wire brush specialty

- ◆ Applied to cold-rolled sheet and galvanized/tin-plated sheet before processing and post-treatment of metal surface
- ◆ Casting iron parts / non-ferrous metals and other materials, after machining and chamfering and deburring
- ◆ Copper strip/aluminum strip coil surface post-treatment, decontamination and grinding pressure of copper plate in electronic circuit board
- ◆ Automotive gear processing / engine parts deburring electroplating and surface grinding before painting

Wheel brush to use a function

- ◆ Generally used in portable electric and pneumatic tools
- ◆ The softer the brush wire, the less wear on the workpiece and the more flexible the operation

- **Easy to use, ready to use after installation**



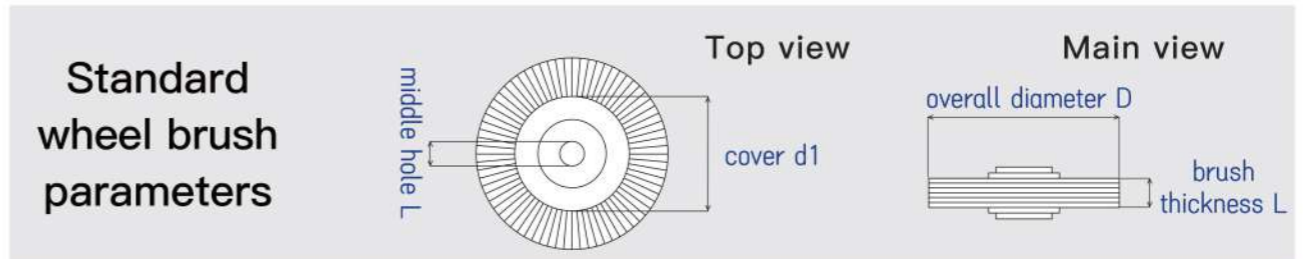
Aluminum oxide



Silicon carbide



Stainless steel wire



Middle hole d	Cover d1	Overall diameter D	Brush thickness L	Standard brushing
SBφ6	φ20	φ30-φ40	6	0.12、0.15、0.2、0.3 stainless steel wire
SBφ12	φ33	φ35-φ60	6	
SBφ18	φ36/φ46	φ65-φ70	7	0.12、0.15、0.2、0.3 copper plate steel wire
SBφ27	φ55/φ60	φ85-φ100	8	
SBφ44	φ70/φ80	φ115-φ135	10	320#0.6、240#0.9、180#1.0、120#1.2 silicon carbide
SBφ53	φ84/φ103	φ140-φ150	11	
SBφ70	φ115	φ160-φ200	10	320#0.6、240#0.9、180#1.0、120#1.2 aluminum oxide
SBφ83	φ120/φ140	φ180-φ220	11	
SBφ103	φ140/φ160	φ200-φ250	12	0.8 240# diamond curve wire
SBφ137	φ200	φ250-φ300	12	

Note: can be customized

Flat Wheel Brush for Machine



Product Description

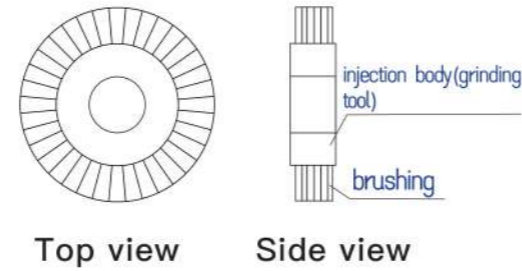
- ◆ For metal pipe groove polishing, you can use a steel wire polishing brush or a copper wire polishing brush
- ▶ Do not use too much pressure. Excessive pressure will cause the thin wires on both sides to be distorted or overheated, causing the thin wires to break, melt quickly, and reduce the service life

Glue Injection Wheel Brush - Customized



Product description

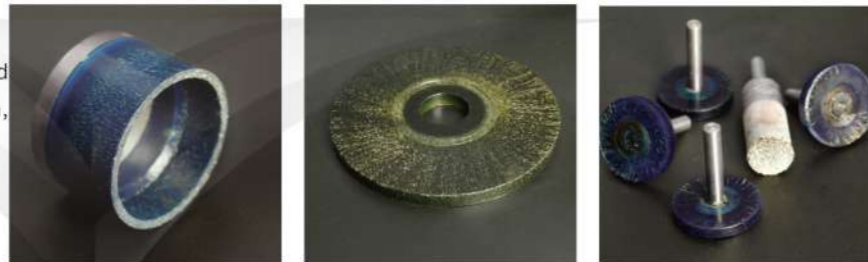
- ◆ Lighter weight
- ◆ Higher density
- ◆ Installed on the power tool for deburring, it can perform surface treatment work on the workpiece in the horizontal or vertical direction



Rubberized Wheel Brush - Customized

Types

- ◆ Rubberized wheel brush, rubberized end brush, rubberized disc brush, rubberized rod flat brush
- ◆ Material: stainless steel straight/curve wire, copper plate steel straight/curve wire



Characteristic: compared with traditional crafts

- ◆ Stronger grinding ability (more than 50% performance of the same materia)
- ◆ More accurate grinding range control
- ◆ higher lifespan

Parameters

	Overall diameter	Hole diameter	thickness
Rubberized wheel brush	LGφ75	φ10/12	8/10/12/15
	LGφ100	φ10/12/16	8/10/12/15
	LGφ125	φ10/12/16	8/10/12/15
	LGφ150	φ10/12/16/25/32	8/10/12/15
	LGφ200	φ32-50	8/10/12/15

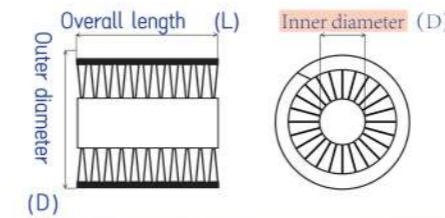


Rubberized end brush	Brush diameter	Holder diameter
	LGφ22	φ6
	LGφ25	φ6

Note: can be customized

Inner/Outer Winding Brush - Customized

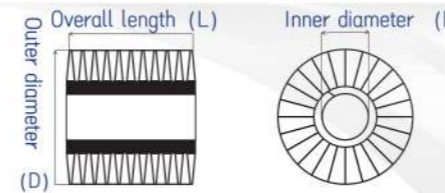
Inner Winding Brush



Inner diameter d	Outer diameter D	Overall length L	Rotating speed
SB φ0	45	45	2000-4000
SB φ3	45	45	2000-4000
SB φ4	25	50	2000-4000
SB φ5	60	50	2000-4000
SB φ6	50	55	2000-4000
SB φ8	70	45	2000-4000
SBφ12	60	45	2000-4000
SBφ15	50	50	2000-4000
SB φ8	40	50	2000-4000
SBφ30	30	55	2000-4000

Note: can be customized

Outer Winding Brush



Inner diameter d	Outer diameter D	Overall length L	Rotating speed
SB φ0	45	45	2000-4000
SB φ3	45	45	2000-4000
SB φ4	25	50	2000-4000
SB φ5	60	50	2000-4000
SB φ6	50	55	2000-4000
SB φ8	70	45	2000-4000
SBφ12	60	45	2000-4000
SBφ15	50	50	2000-4000
SB φ8	40	50	2000-4000
SBφ30	30	55	2000-4000

Note: can be customized

Derivatives





Brush Roller Series - Customized



Introduction

- ◆ The brush roller is a tool that is used in steel plants or other hardware industries to clean and remove rust from steel plates
- ◆ Deburring and polishing of other castings, polishing and mirror effect treatment of steel strips, aluminum strips, copper strips and other products

Use

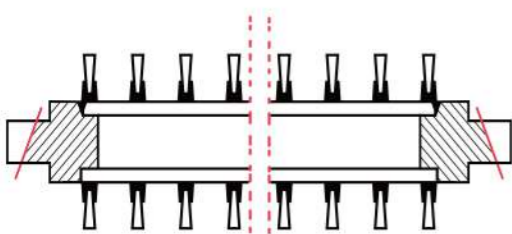
- ◆ Polishing of various metal products
- ◆ Surface rust removal
- ◆ Burrs during production and processing

High quality abrasive brush

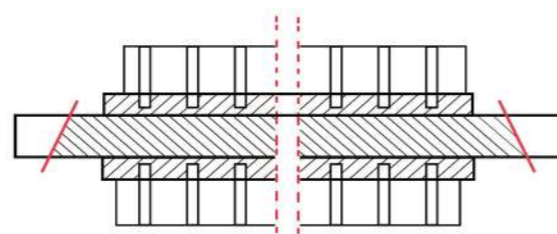
- ① The brush wire should not fall off during the working process
- ② Reasonable brush height and density
- ③ Durable
- ④ The brush wire should have high hardness and toughness in a humid environment
- ⑤ The brush wire should have good bending recovery

Roller Brush	Outer diameter	Inner diameter	Brush length	Available material	Rotating speed(recommended)
	customized	customized	customized	Nylon wire, horse hair, bristle, wool, steel wire, brass wire, silicon carbide, aluminum oxide, sisal, coconut palm, etc.	500-1200mp

Sheet Brush Roller



Winding Brush Roller



Double steel strip continuous welding brush sleeve 09



Use

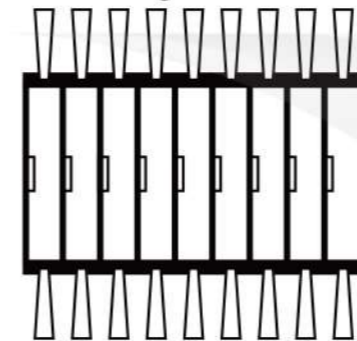
- ◆ Strip surface cleaning on continuous annealing, galvanizing and silicon steel lines
- ◆ Remove surface oil and oxide layer
- ◆ Change surface roughness

Characteristic

- ◆ Can be installed at the work site, simple and convenient
- ◆ The brush shaft does not need to be sent back to the factory for processing, which is low cost

Roller Brush	Outer diameter	Inner diameter	Brush length	Available material	Rotating speed(recommended)
	customized	customized	customized	Nylon wire, horse hair, bristle, wool, steel wire, brass wire, silicon carbide, aluminum oxide, sisal, coconut palm, etc.	500-1200mp

Structure drawing



Kind tips

The brush should be cleaned after use. Place it on a special rack to keep the bristles upright to prevent the bristles from falling down and affecting reuse. Store in a ventilated and cool place, avoid direct exposure to strong light and endanger the life of the brush.



It is made of galvanized or stainless steel double steel strips (single steel strip), rolled or internally welded to solve technical problems such as low bristles density, broken wires, and wire snags



The connection keyway is accurately produced in the hollow cylinder, and processed with high precision by CNC lathe, resulting in more accurate dimensions; the inner hole is smooth and easy to install



The double steel strips are continuously welded and formed in one step, making it easier to splice and use super long sizes; the size is more accurate, and the inner hole is smooth and easy to install.



- Not easy to stain, easy to clean after use
- We can customize implanting brush

Implanting Brush Series

Introduction

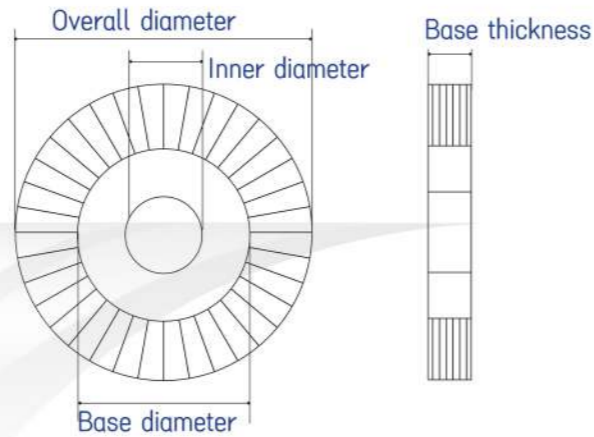
- ◆ Suitable for door industry, mining industry, sanitation, glass industry, textile printing and dyeing industry, ceramic industry, fruit and vegetable cleaning and processing and other mechanical supporting equipment
- ◆ Brush wire material: nylon wire / abrasive wire / steel wire / copper-plated wire / pig bristle / wool / sisal, etc
- ◆ Electric brush head hard bristle brush wheel walnut nano polishing brush handheld machine cleaning small brush plate

Roller Brush	Outer diameter D	Inner diameter	Brush length	Available material	Rotating speed(recommended)
	customized	customized	customized	Nylon wire, horse hair, bristle, wool, steel wire, brass wire, silicon carbide, aluminum oxide, sisal, coconut palm, etc.	500-1200 rpm

◆ Flocking wheel brush



Structure drawing

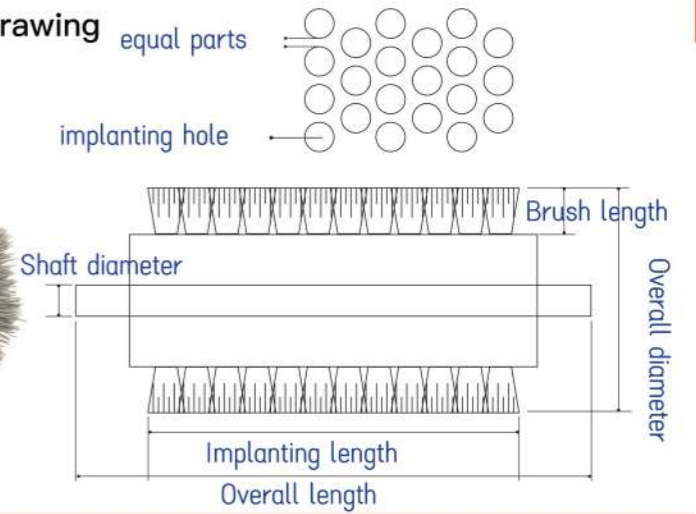


◆ Planting brush series



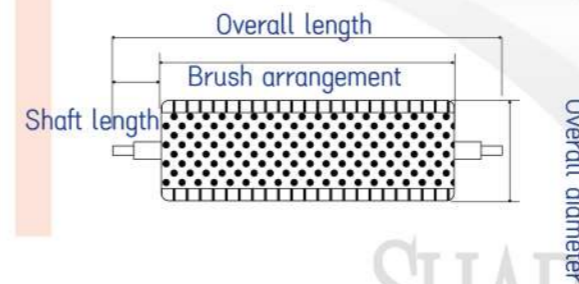
◆ Implanting brush roller – hollow barrel brush

Structure drawing



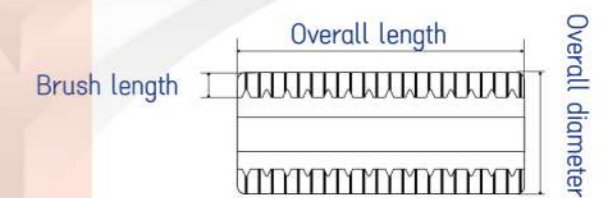
Implanting Winding Brush

- 1. Twist from the middle to both sides; 2. Twist from one end to the other; 3. High and low hair spirals
- Available with or without shaft



Implanting Brush Sleeve

- Suitable for removal of oxide layer, degreasing cleaning, surface polishing, etc. on the copper strip production line
- Easy to replace and save costs



◆ Implanting Brush Roller

